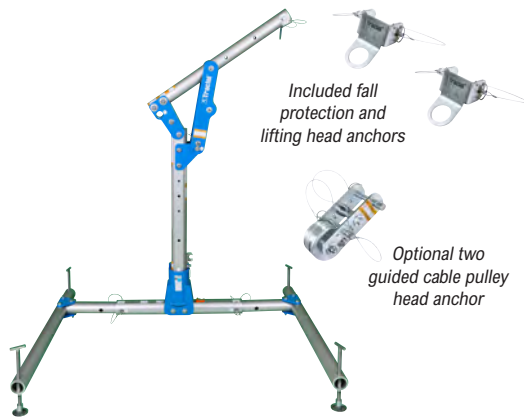




Confined Space Solutions

Confined access range

DAVITRAC™



- Fall protection anchor points for up to two users of 330 lb. (150 kg) each. Anchor points can be used for rope access applications
- Material lifting anchor point with a WLL of 1,100 lb. (500 kg)
- Can be used for manual or motorised lifting of loads
- Permanent or temporary installation with several adapters available
- Designed to be easily transportable from and to site

DAVITRAC™+



- Fall protection anchor points for up to three users of 330 lb. (150 kg) each. Anchor points can be used for rope access applications
- Material lifting anchor point with a WLL of 1,100 lb. (500 kg)
- Can be used for manual or motorised lifting of loads
- Permanent or temporary installation with several adapters available
- Designed to be easily transportable from and to site

DAVIMAST™



- Fall protection anchor points for up to two users of 310 lb. (140 kg) each.
- Material lifting anchor point with a WLL of 500 lb. (225 kg)
- Can be used for manual lifting of loads
- Permanent or temporary installation with several adapters available, same than Davitrac™ bases except portable H self-stabilising adapter
- Mast designed to be easily transportable from and to site

TRIPOD



- Locking head assembly
- Smooth exterior finish
- Two (2) forged steel anchor eyes
- Leg security chain
- Slip resistant rubber pads on feet
- Design for uneven ground pins adjustment 2¾ in. (70 mm) increments. Secondary adjustments at 5½ in. (140 mm) intervals
- Optional leg mounting bracket for bi-directional lifeline device

Confined access harnesses

TOWER TRACK HARNESS

FTD13_/SAD



- Tongue and buckle legs
- TracX pad
- Padded back support belt with side-positioning D-rings
- Sternal D-ring
- Fixed chest strap
- Removable tool belt accommodates pouches
- Sizes: small, medium, large, X-large and XX-large

RESCUE HARNESS

FUY119



- Y-style keeping shoulder straps in place
- Waist D-ring for rescue attachment and controlled descent
- Independent leg/seat support
- TracX comfort pad
- Comfort waist lumbar support
- Six-point adjustment
- Size: Medium, large, X-large and XX-large

VERSAFIT HARNESS

AC732 or AD714



- 7-point adjustment including adjustable sub-pelvic strap
- Lanyard keeper
- Label cover
- AD714 has rescue D-ring

Confined access accessories

BLOCFOR® BI-DIRECTIONAL RETRIEVAL LIFELINE



- Automatic fall protection device with integrated winch for ascending or descending during a possible rescue operation.
- Shock-absorption system ensures that the user will not be subjected to an impact of more than 1,350 lb. (600 daN) even if the fall occurs when the cable is fully unwound.

WINCH



- Maximum load of up to 880 lb. (400 kg) depending on the configuration
- $\frac{3}{16}$ in. (4.7 mm) galvanized wire rope installed with line weight and forged locking swivel hook
- Zinc chromate finish
- Automatic load brake
- 10 in. (25 cm) removable winch handle with mounting hardware

TRACPAC SELF-RETRACTING LANYARD

C0506Z/6



- 6 ft. (1.8 m)
- Lightweight
- Permanently attached to soft pack
- With $\frac{3}{4}$ in. (20 mm) self-locking snap hook at shock pack

	ANCHOR SYSTEM	PRIMARY OPERATOR FALL ARREST SYSTEM	HARNES	SECONDARY OPERATOR FALL ARREST SYSTEM	HARNES
1	Davitrac™ + Two guided cable pulley head anchor + Portable H self-stabilizing adapter DT1000 + T90DP + T90DAVI-PHB	50 ft. (20 m) Blocfor® bi-directional retrieval lifeline + Winch + Brackets T1T50GKDT or T1T50SKDT + M4412PB050KDT	Rescue harness FUY119	6 ft. (1.8 m) Tracpac self-retracting lanyard C0506Z/6	Versafit harness AC732
2	Davimast™ + Mounted floor adapter DM3000 + T90DAVI-MFA	100 ft. (30 m) Blocfor® bi-directional retrieval lifeline + Bracket T1T100GKDM or T1T100SKDM	Wind TracX harness AU7139/XT	6 ft. (1.8 m) Tracpac self-retracting lanyard C0506Z/6	Versafit harness AC732
3	Two Davimast™ + Two 360° rotating anchor points + Mounted floor adapter + Tempo III temporary horizontal lifeline DM3000 + D90A + T90DAVI-MFA + H66500	6 ft. (1.8 m) Tracpac self-retracting lanyard C0506Z/6	Versafit harness AC732	6 ft. (1.8 m) Tracpac self-retracting lanyard C0506Z/6	Versafit harness AC732
4	Davimast™ + Wall mounted adapter DM3000 + T90DAVI-WMA	100 ft. (30 m) Blocfor® bi-directional retrieval lifeline + Bracket T1T100GKDM or T1T100SKDM	Rescue harness FUY119	6 ft. (1.8 m) Tracpac self-retracting lanyard C0506Z/6	Versafit harness AC732
5	Davimast™ + Mounted floor adapter + 360° rotating anchor points DM3000 + T90DAVI-MFA + D90A	6 ft. (1.8 m) Tracpac self-retracting lanyard C0506Z/6	Versafit harness AC732	6 ft. (1.8 m) Tracpac self-retracting lanyard C0506Z/6	Versafit harness AC732



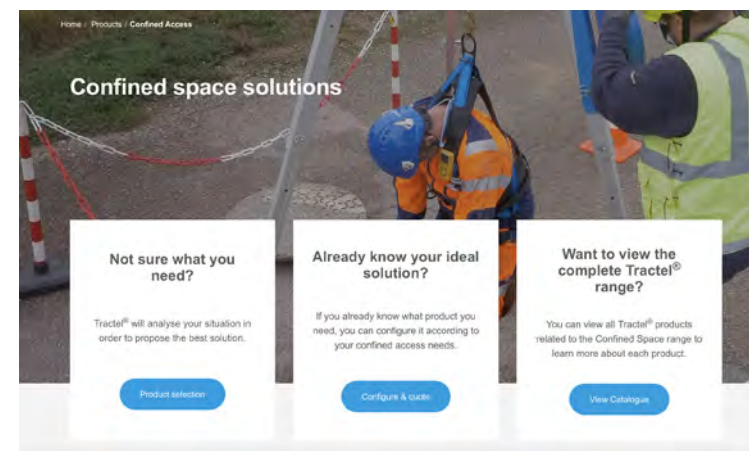


	ANCHOR SYSTEM	PRIMARY OPERATOR FALL ARREST SYSTEM	HARNESS	SECONDARY OPERATOR FALL ARREST SYSTEM	HARNESS
6	Tripod T3F7 or T3F9	50 ft. (20 m) Blocfor® bi-directional retrieval lifeline + Winch RT50G or RT50S + T2S50G	Tower TracX harness FTD13_SAD	6 ft. (1.8 m) Tracpac self-retracting lanyard C0506Z/6	Versafit harness AC732
7	Davitrac™+ + Wall mounted adapter + Winch DTP2000 + T90DAVI-WMA + M4412PB050KDT	6 ft. (1.8 m) Tracpac self-retracting lanyard C0506Z/6	Versafit harness AC732	6 ft. (1.8 m) Tracpac self-retracting lanyard C0506Z/6	Versafit harness AD714
8	Davimast™ + Mounted floor adapter + Winch DM3000 + T90DAVI-MFA + M4032PB080K	Blocfor® self-retracting lifeline RA30G/LE	Versafit harness AC732	-	-

Confined space configurator

Selecting the right solution for your confined space application can be hard. We have developed a dedicated Confined Space Configurator to assist you with choosing the right solution for your circumstances.

Using the configurator allows you to choose from the right solution to work safely in confined spaces.



Risk of falling

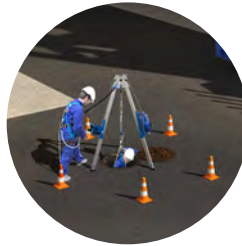
The health and safety of an organisation's employees should be a paramount concern for all leadership teams. Granted, in every occupation there is a level of risk involved; however, that risk can vary greatly depending on the environment that employees have to work in. A dangerous environment in particular is that of a confined space.

What is a confined space?

A confined space is a space that is totally or partially enclosed that was not designed with the intention of people occupying or working in it. Access to a confined space is usually limited and as such, the operations that take place in them are classed as exceptional. These operations usually include contributing towards their manufacture, upkeep and maintenance.

In what professions do people work in confined spaces?

There are a lot of professions where employees need to enter confined spaces, despite the fact they were not designed for occupants. Many employees need to work in confined spaces regularly, for example to inspect and maintain underground networks, in mines, in chimneys, in silos or in a wide variety of tanks used in industry.



What risks do people in confined spaces face?

There are multiple risks that people working in confined spaces face that depend entirely on the type of space they're working in. These include lack of oxygen, flooding, breathing in dust and for those working in confined spaces at height such as in silos, manholes and large pipes, the risk of falling. Falling can result in serious injury or even death, as such, it is important to protect your staff and reduce the risk of a fall as much as possible. It is also essential to facilitate the rescue of staff from confined spaces through an adequate rescue plan and using specialist rescue equipment.

How can you reduce the risks to your employees?

The most effective way to reduce the risks to employees is by investing in some high-quality safety equipment. At Tractel, we provide the equipment that will ensure the safety of your operators who may need to work in confined spaces. Our solutions can be used to provide fall protection for people or to aid in the rescue of employees if required. We have also provided a wide range of lifting equipment that can be used for materials and tools that need to be brought in or out of the confined spaces. Our whole confined space range has been designed with the optimal solution for the employees in mind while giving maximum flexibility to adapt to the environmental circumstances and the task at hand.



BOSTON
1 800 421-0246
tractel.usa-east@tractel.com

LOS ANGELES
1 800 675-6727
tractel.usa-west@tractel.com

MONTREAL
1 800 561-3229
tractel.canada@tractel.com

www.tractel.com